

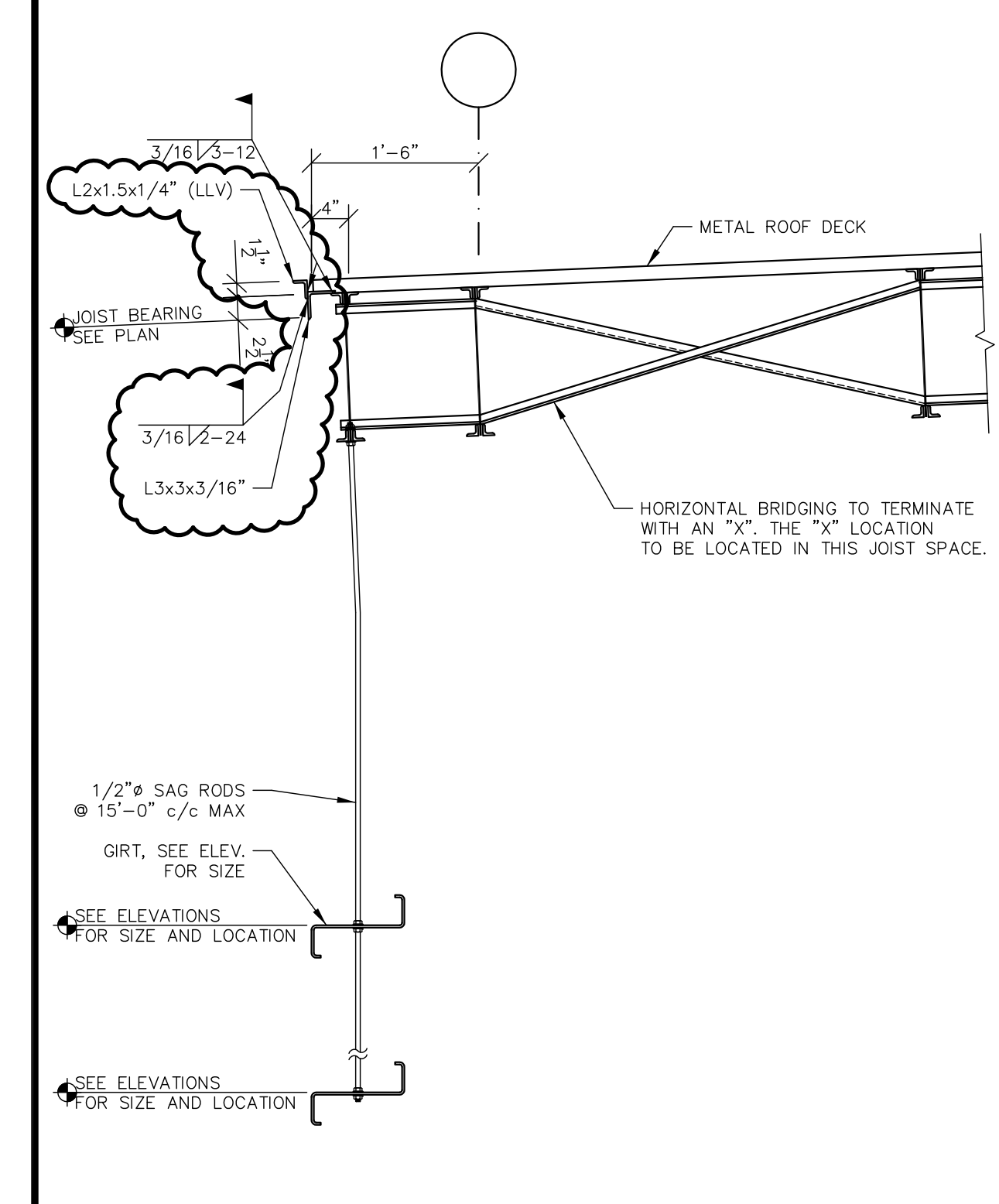
FLEX FILMS (USA) INC.
 1221 NORTH BLACK BRANCH ROAD
 ELIZABETHTOWN, KENTUCKY 42702

DATE	REVISION	NUMBER	BY
10-21-11	REVISION	NUMBER ONE	

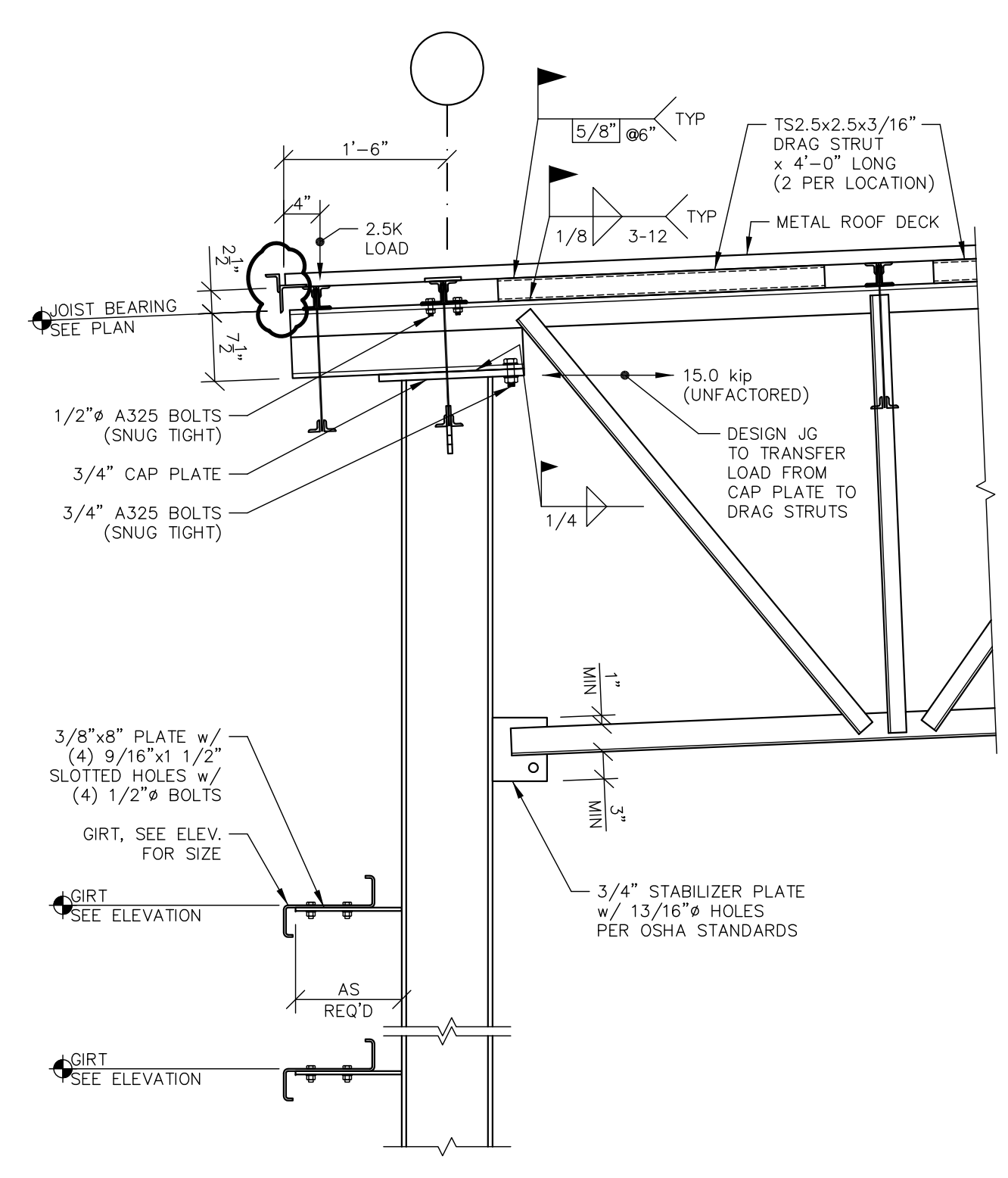
PROJECT NO. 8524-02
 DESIGNED BY: EPH
 DRAWN BY: GPF/EFH
 CHECKED BY: FHH
 REVIEWED BY:
 DATE: JULY 2011
 SCALE: AS NOTED

nse Engineers
 Architects
 Planners
OF KENTUCKY, INC.
 Phone: (609)223-8694
 624 Wellington Way
 Lexington, KY 40503
 Fax: (609)223-8697
 www.nseinc.com

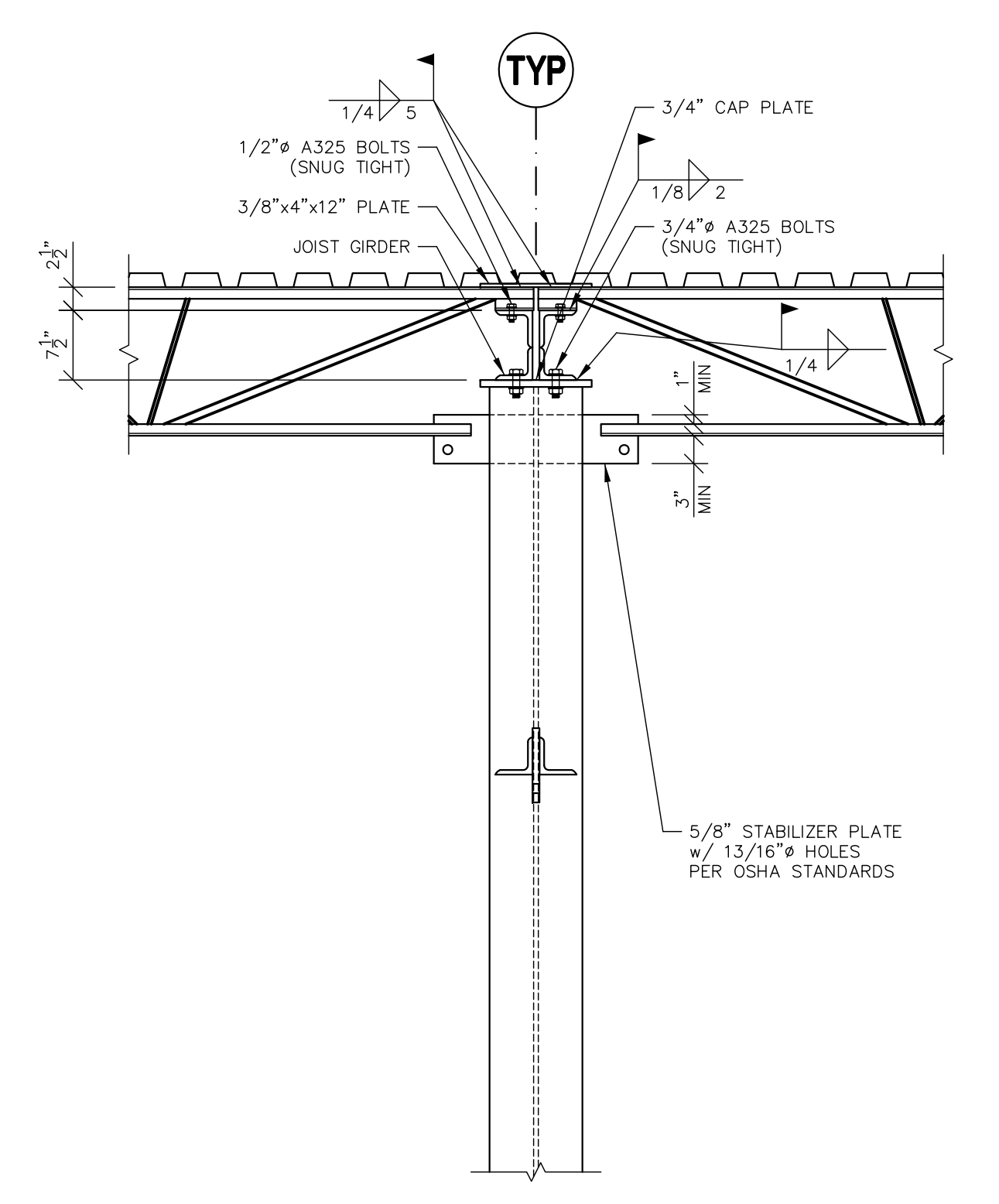
DRAWING NO.
UFL-L12 S-520



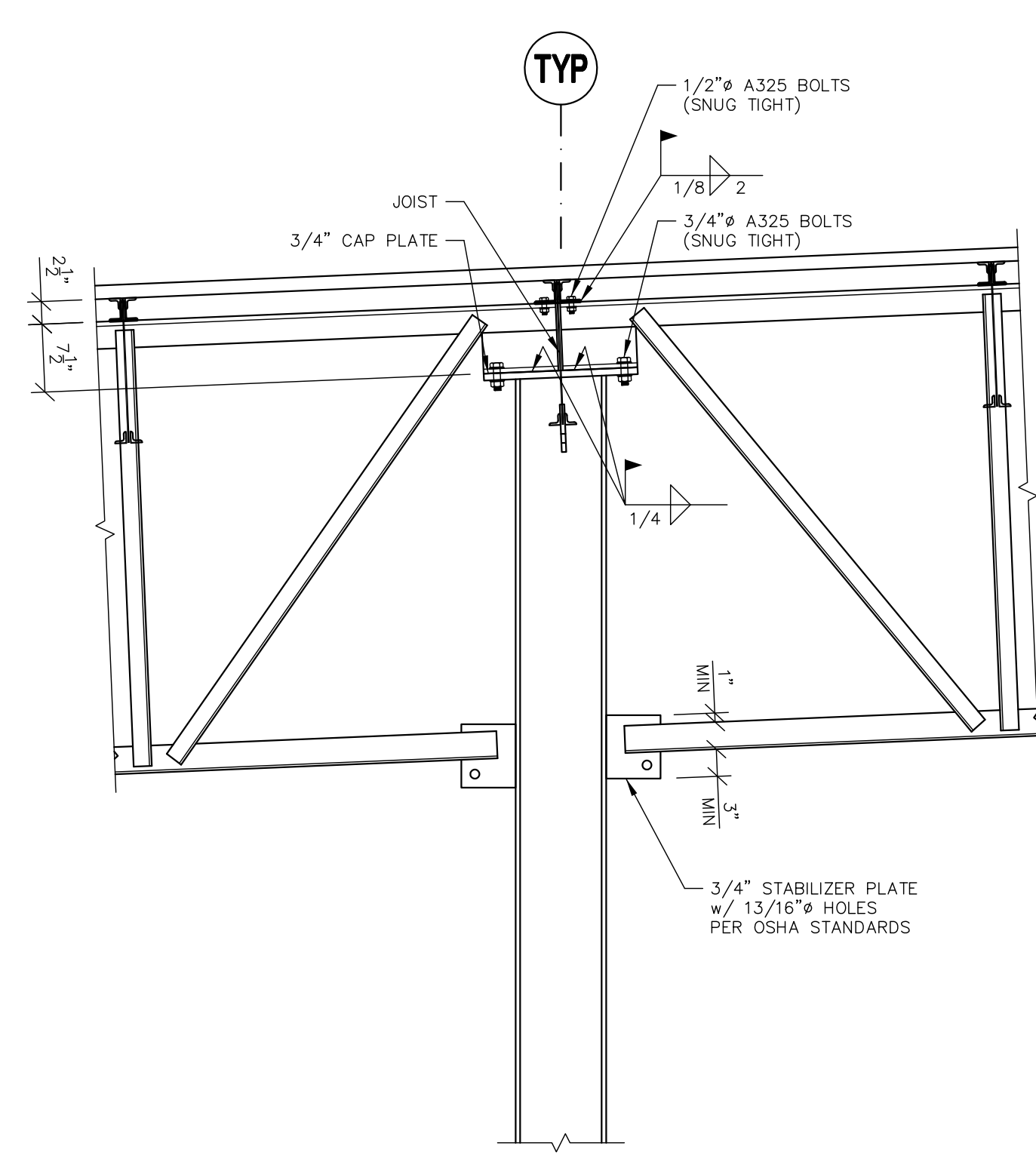
1 SECTION
S-520



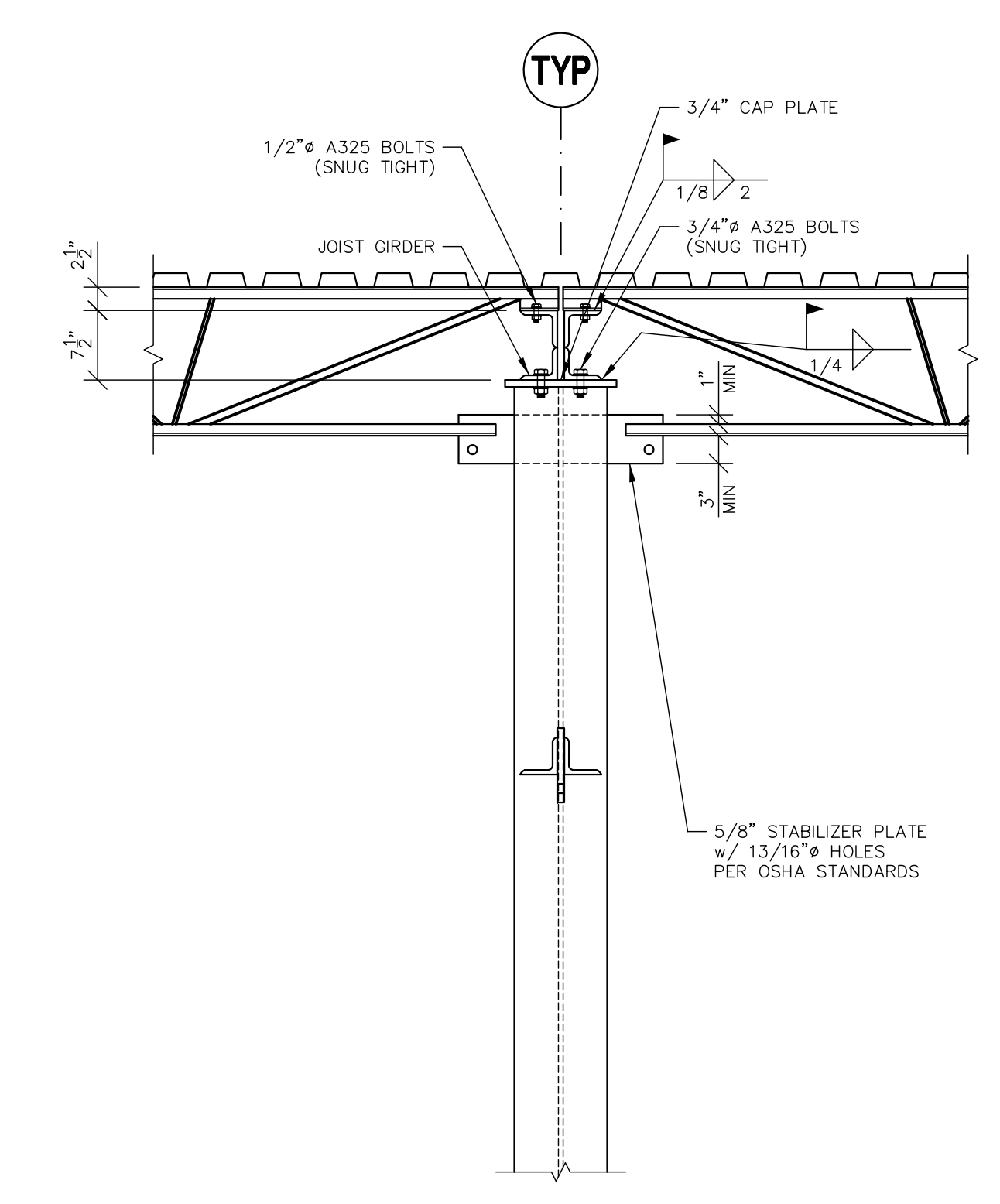
2 SECTION
S-520
 NOTE: REFER TO 10/S-520 FOR ALTERNATE DETAIL OF ATTACHING TS2.5 DRAG STRUT TO ROOF DECK.



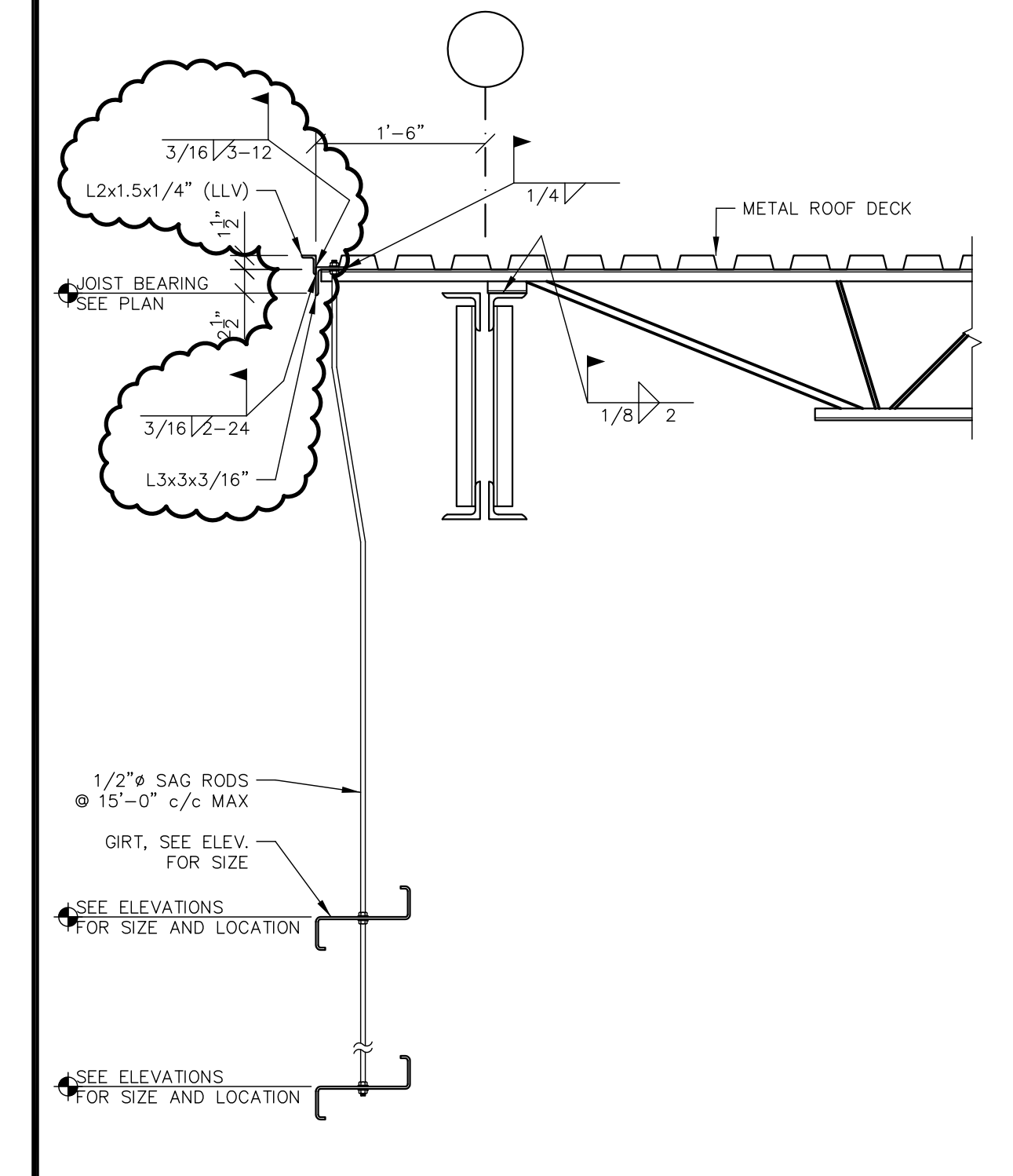
3 SECTION
S-520
 CL. "A-1" & "C" & "G" & "K"



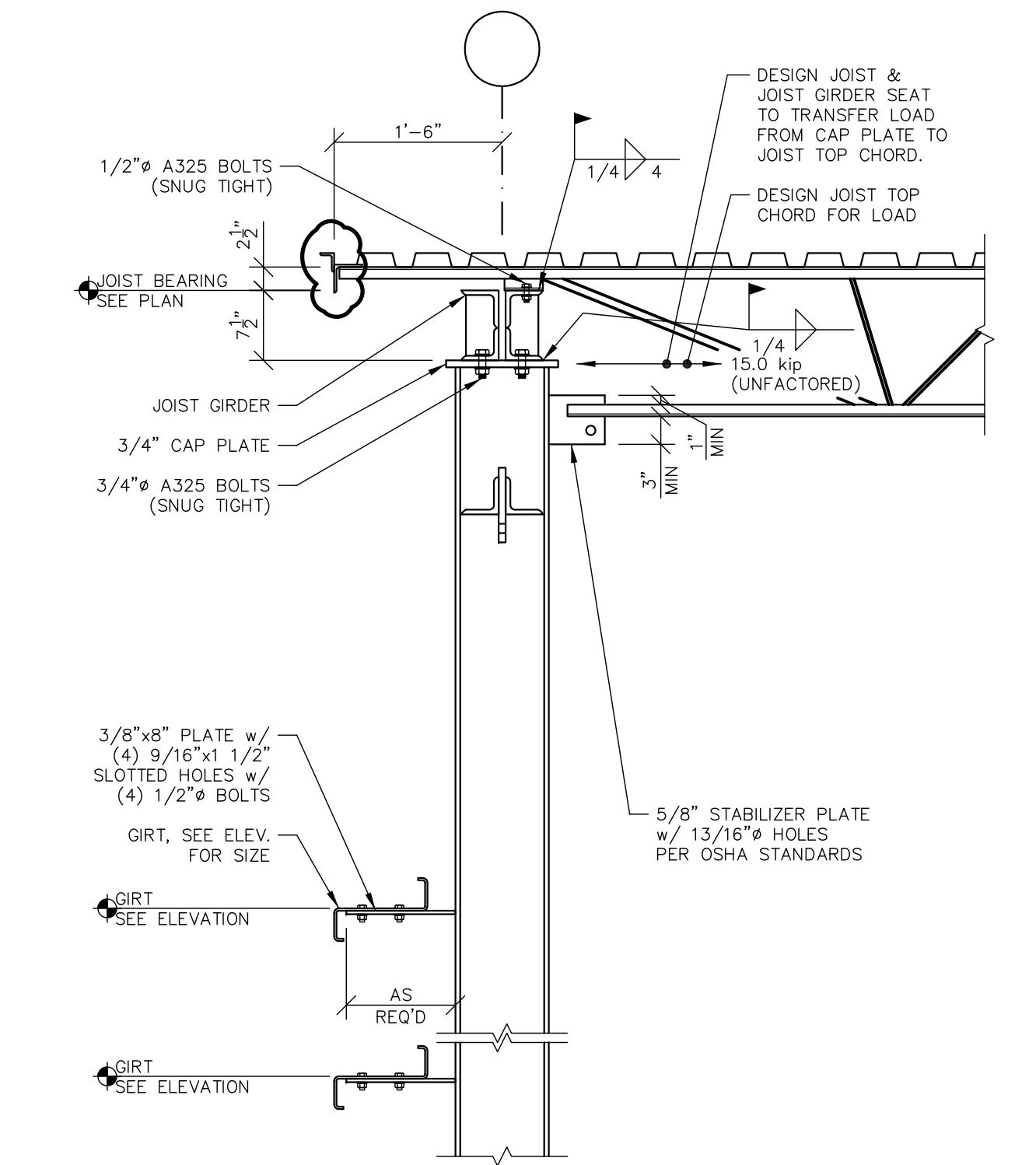
4 SECTION
S-520
 TYPICAL AT INTERIOR COLUMN



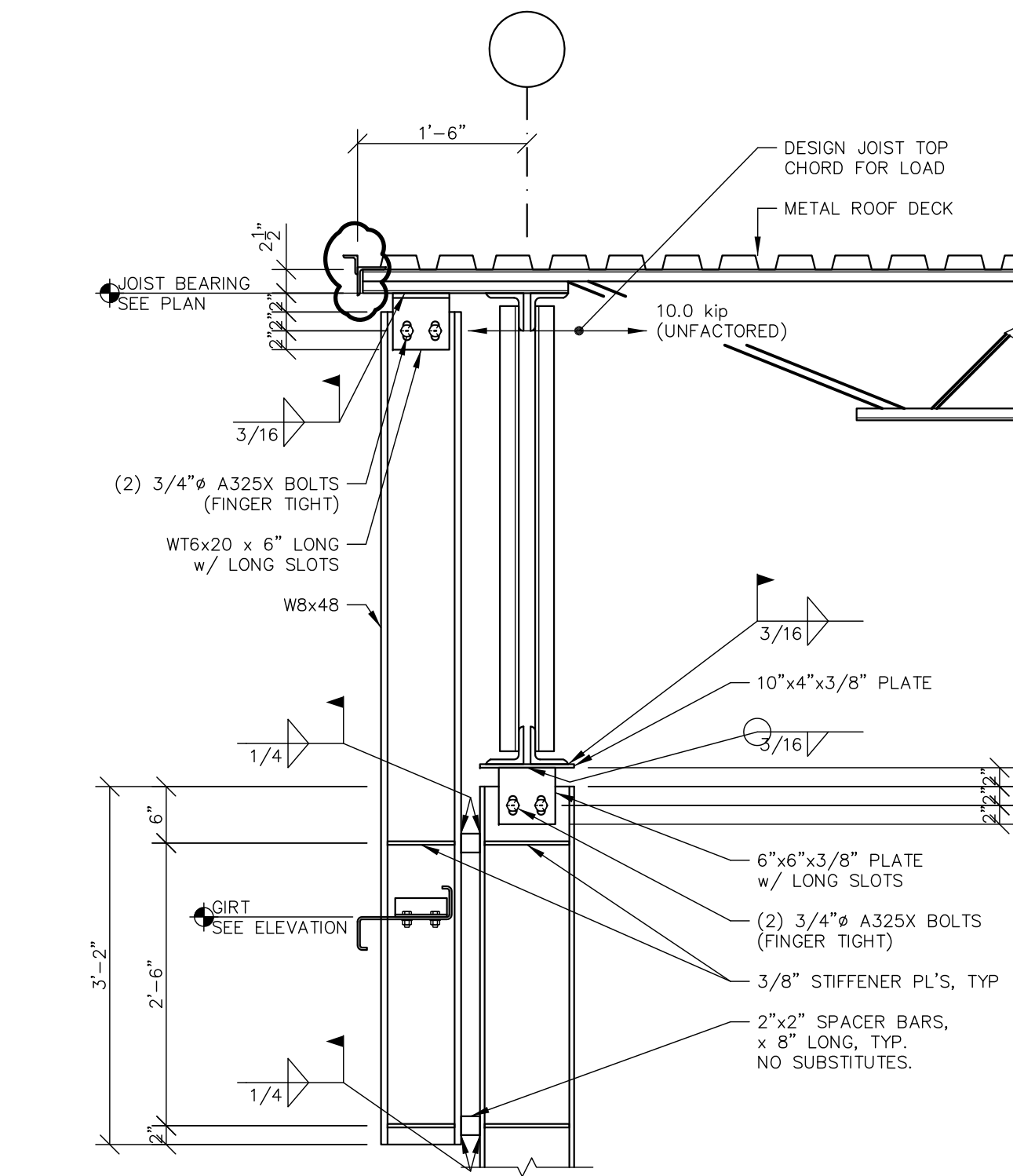
5 SECTION
S-520
 TYPICAL AT INTERIOR COLUMN



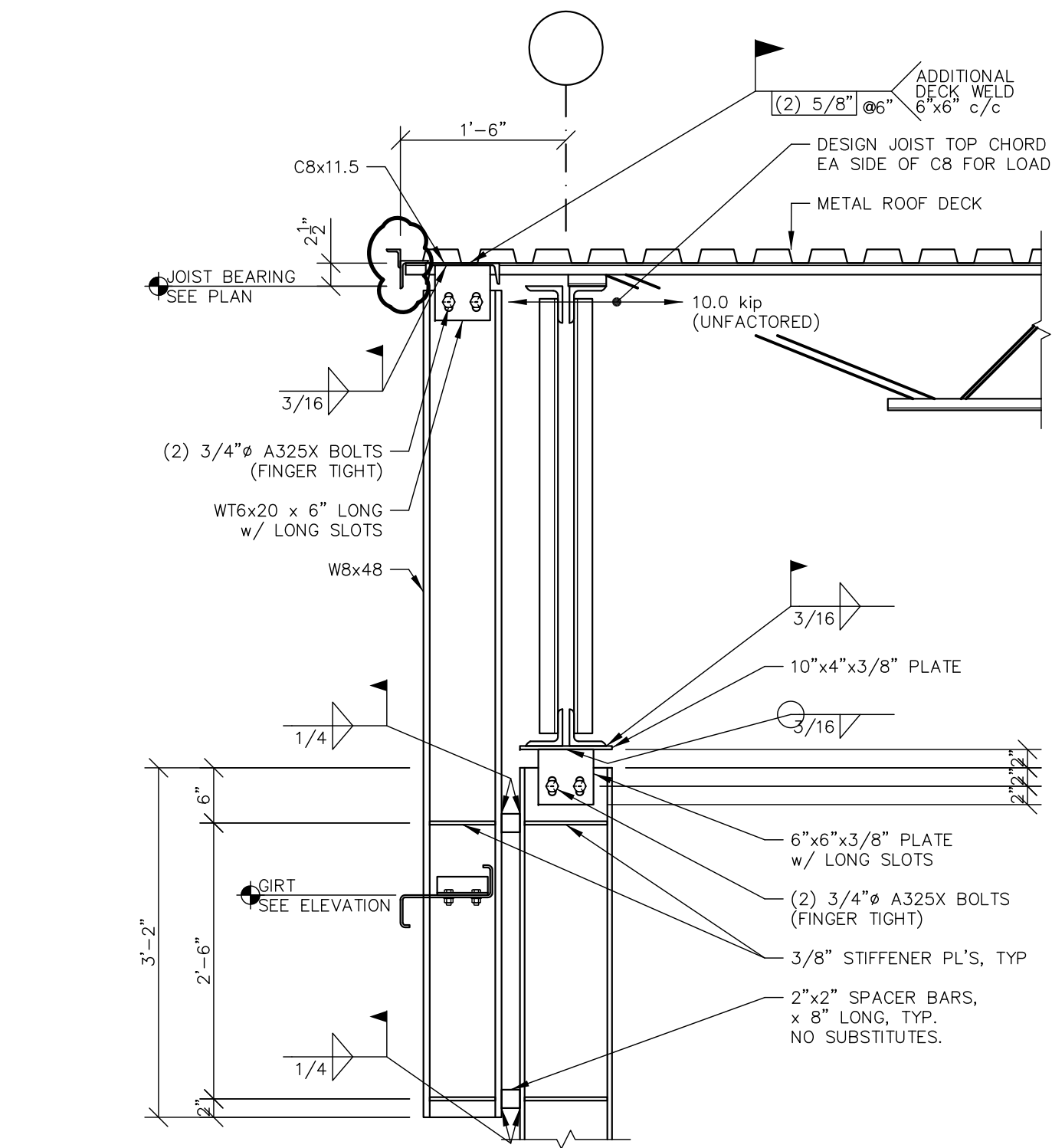
6 SECTION
S-520



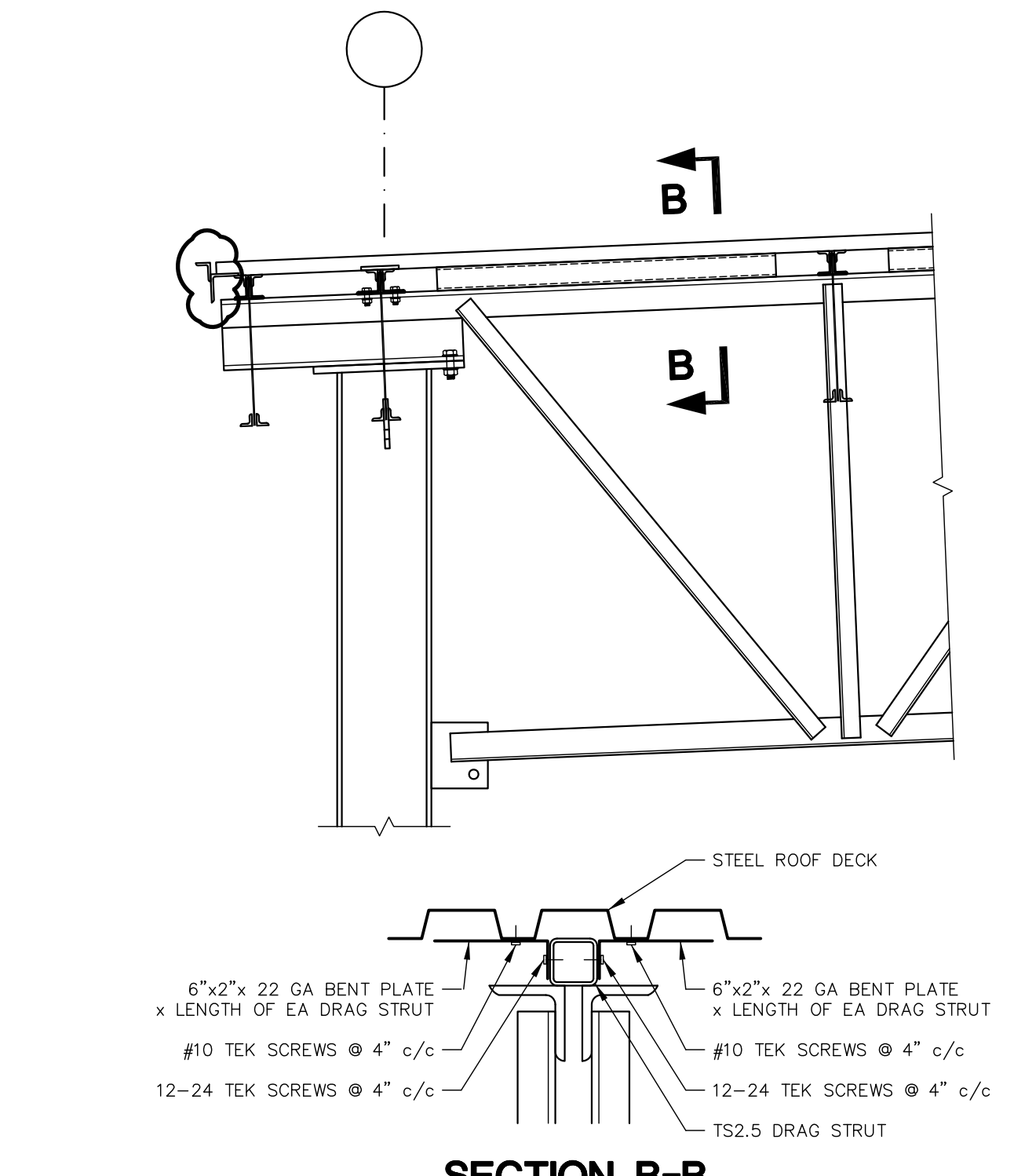
7 SECTION
S-520



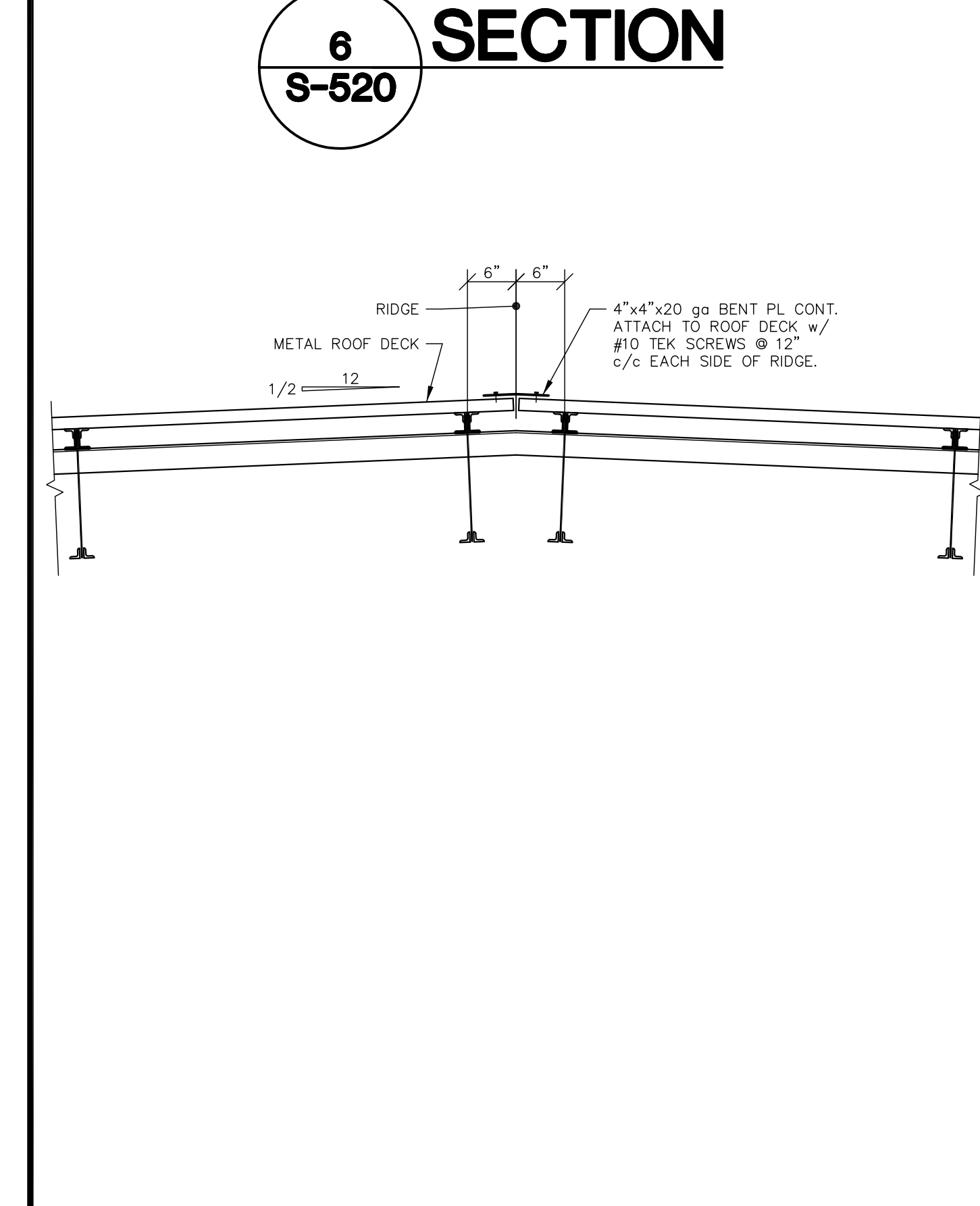
8 SECTION
S-520



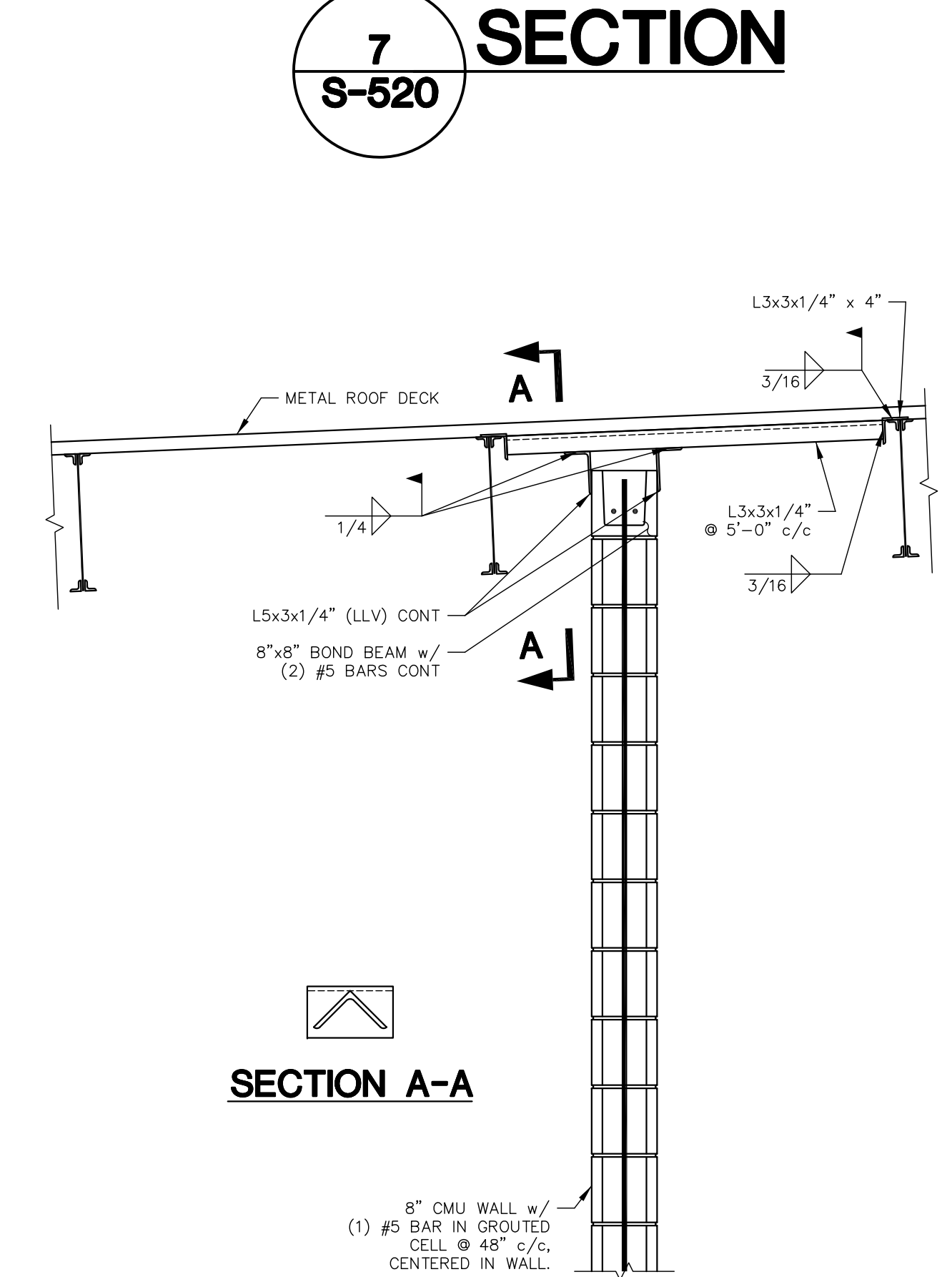
9 SECTION
S-520



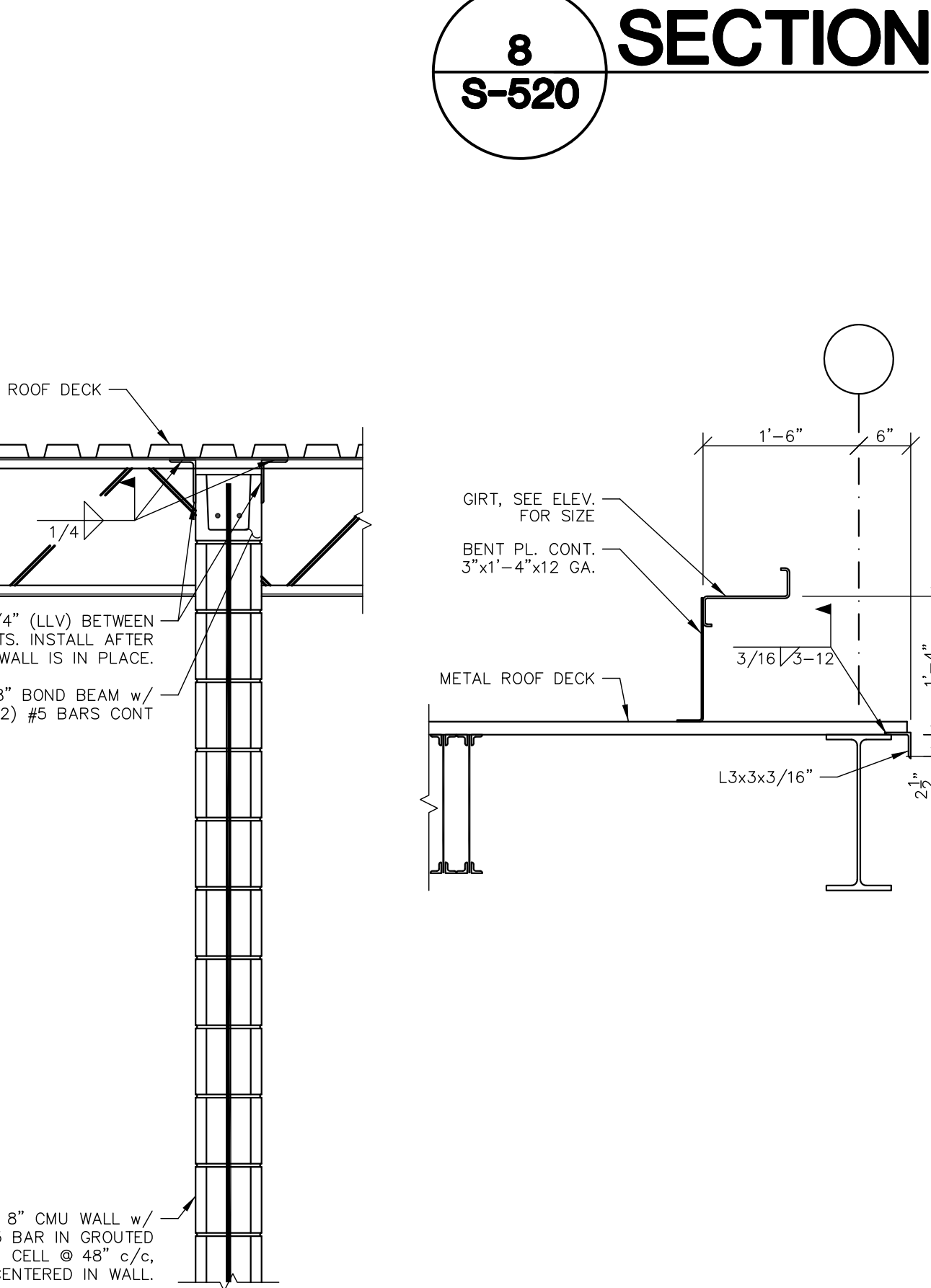
SECTION B-B
10 SECTION
S-520
 ALTERNATE DETAIL OF ATTACHING TS2.5 DRAG STRUT TO ROOF DECK.



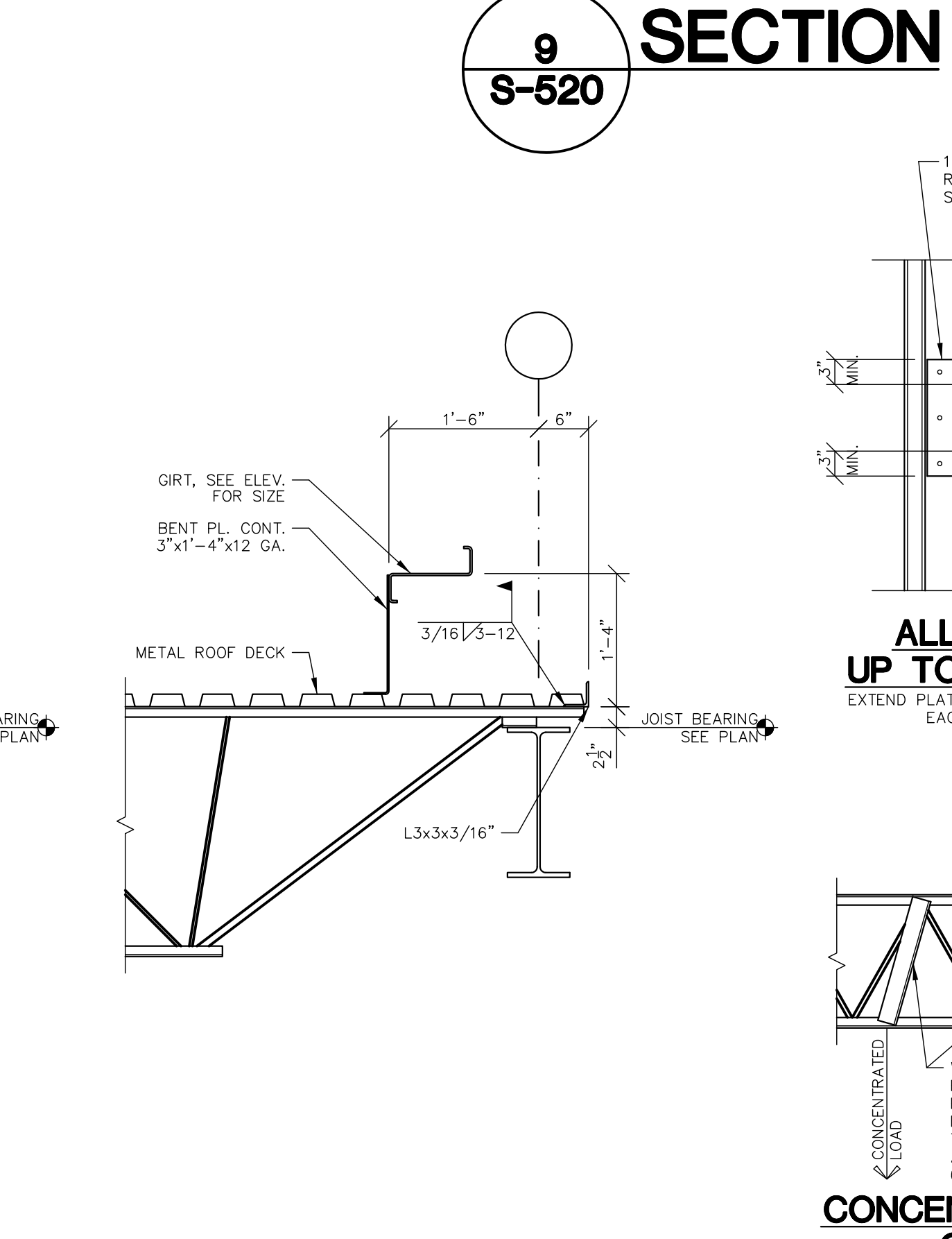
11 SECTION
S-520



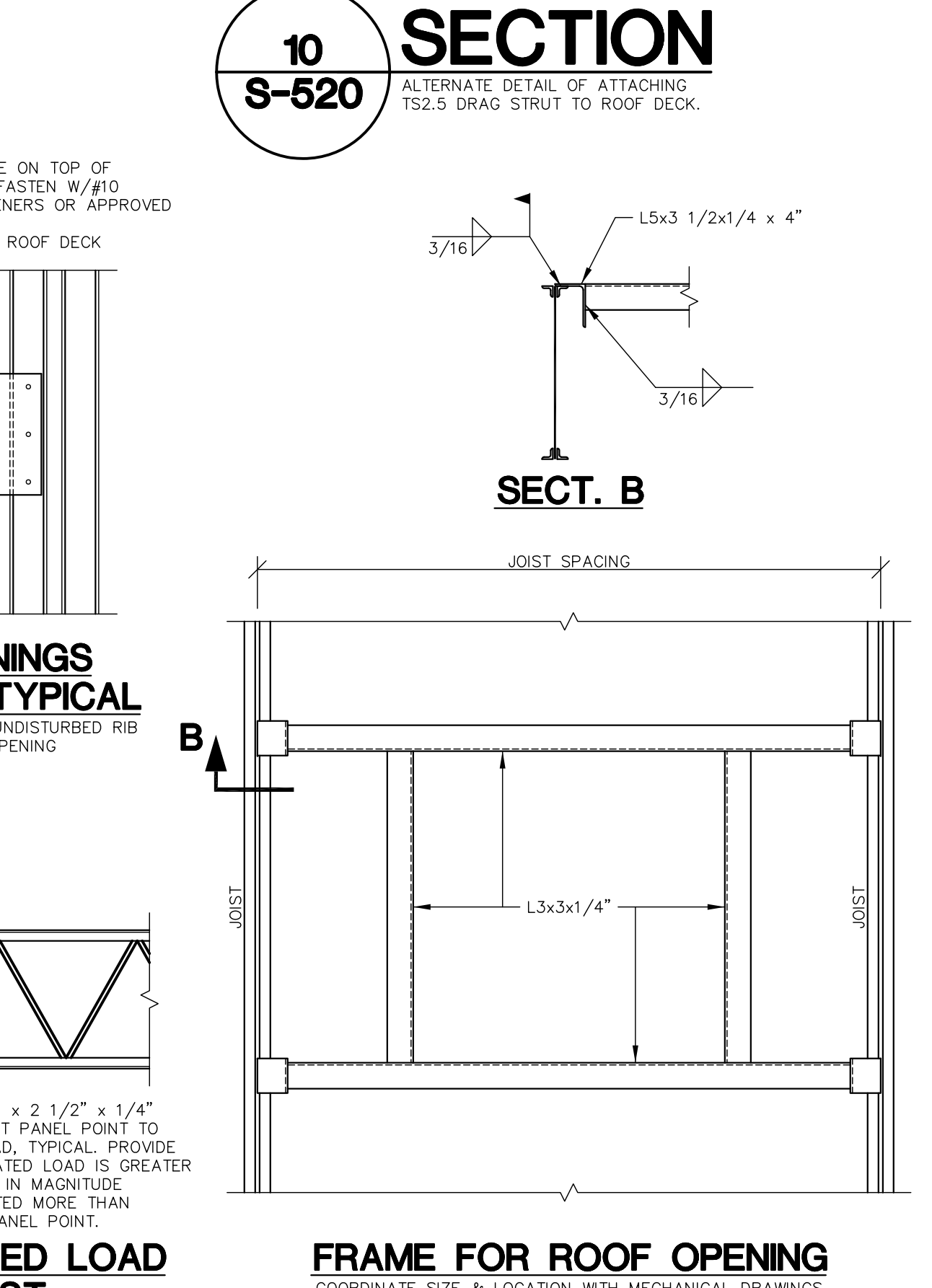
12 SECTION
S-520
 TOP OF WALL PARALLEL TO JOIST
 REFER TO ARCH DWGS FOR LOCATIONS



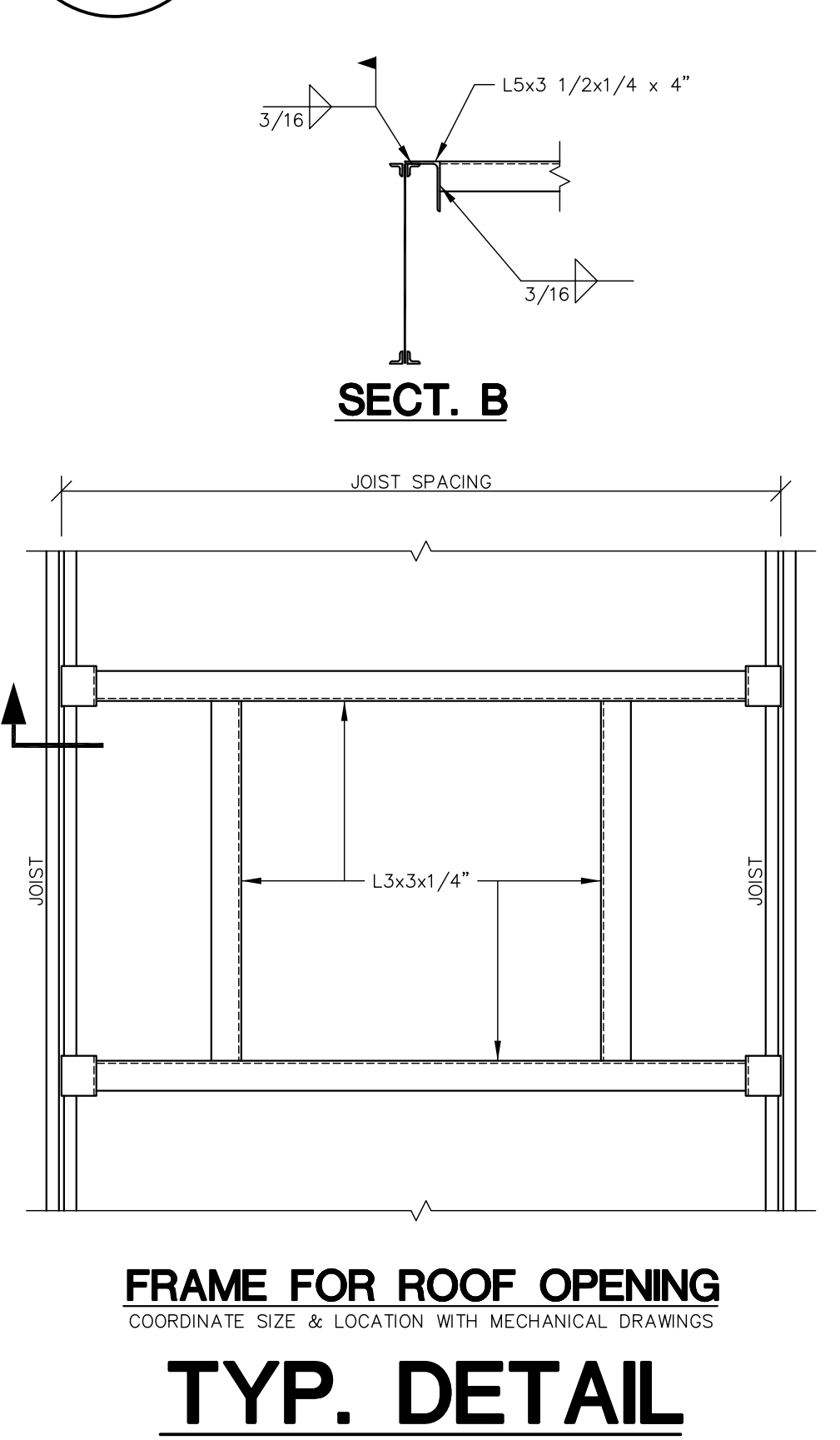
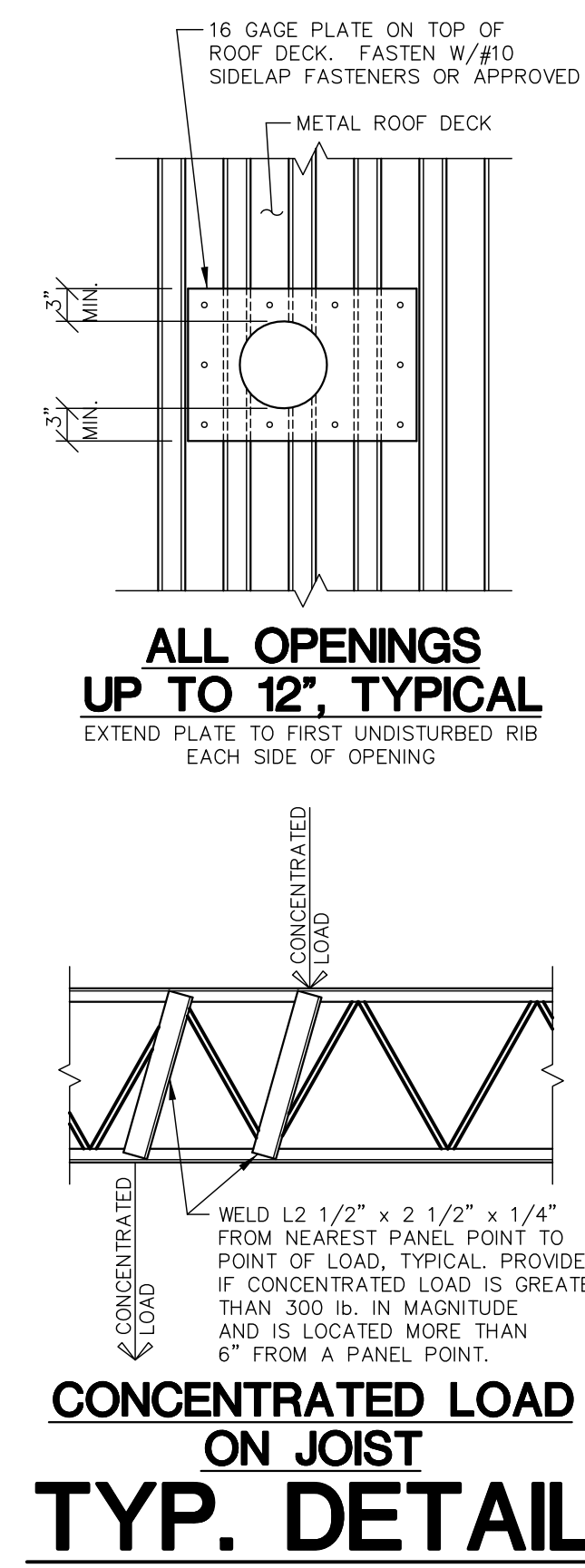
13 SECTION
S-520
 TOP OF WALL PERPENDICULAR TO JOIST
 REFER TO ARCH DWGS FOR LOCATIONS



14 SECTION
S-520



15 SECTION
S-520



STEEL SECTIONS